

CONGRATULATIONS!

Your purchase of an M&S Systems music and communications system is an investment that will provide years of enjoyment and service for your customer.

M&S audio products are backed with more than 40 years of experience in the design and manufacture of precision acoustical equipment for the home. To ensure that your customer receives the high-quality music and voice reproduction that the system is designed to deliver, it is important that each step of the installation be done carefully. If you follow the step-by-step illustrated instructions below, the result will be a successful professional-quality installation. In the event you need troubleshooting assistance, please call our technical staff at 1-800-366-9422.

INSTALLATION INSTRUCTIONS FINISH-OUT MC111M/DM SYSTEM

Tools required: Phillips screwdriver #2, Standard flat screwdriver #1, wire stripper/cutter.

The finish-out installation should be made after the application of wall covering material.

DOs & DON'Ts

- K USE ONLY M&S SYSTEMS BRAND CABLE** as called out in these instructions. The cable is designed and constructed with electrical specifications necessary for proper audio performance. **IMPORTANT: THE USE OF NON M&S SYSTEMS' BRAND CABLE OR CABLE SUBSTITUTION WILL VOID PRODUCT WARRANTY.** *Note: All M&S Systems' cable has M&S Systems and the part number printed on it!*
- K DO NOT** power up master until all remote stations and speakers are connected.
- K DO** ensure that all rough-in instructions (*literature number 115741*) have been followed before power is applied to system.
- K DO NOT SPLICE CABLES.** Splices are unreliable and defeat the signal isolation properties of the cable.
- K DO NOT COIL OR BUNDLE** the MS4X cable. This will cause electronic feedback.
- K** If extra cables have been run for possible future speaker additions, care must be taken that these cables do not get connected to the master unit. Unterminated cables (no station) connected to the master unit may cause electronic feedback that will damage the master unit.
- K DO NOT** overtighten the screws for the remote stations or the master as the plastic face panels may crack or strip out.

REMOTE STATIONS N14/N35 SERIES

At each remote station location, strip approximately 4 inches of jacket (MS4XSC) from wire and separate the colored conductors from one another. Strip 1/2 inch of insulation from each conductor as shown in figure 1. Cut each shield drain wire at the shield foil to prevent them from touching each other

(MS4XSC only). Connect each colored conductor to its

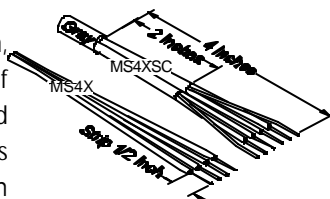


Figure 1

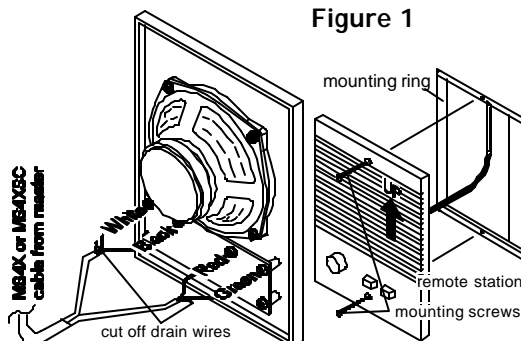


Figure 2

Figure 3

respective screw terminal as shown in figure 2. Mount each remote station to it's mounting ring using the two screws provided with each station as shown in figure 3.

REMOTE DOOR RELEASE STATIONS N15D/N35D SERIES

At each door release control station location, strip approximately 4 inches of jacket (MS4XSC) from wires and separate colored conductors from one another. Strip 1/2 inch of insulation from each conductor including the VM127X. Cut off the drain wire from the Black/White pair. Connect the Red wire from the volume control switch to the Red wire on the VM127X. Connect the White wire from the volume control to the White wire on the VM127X.

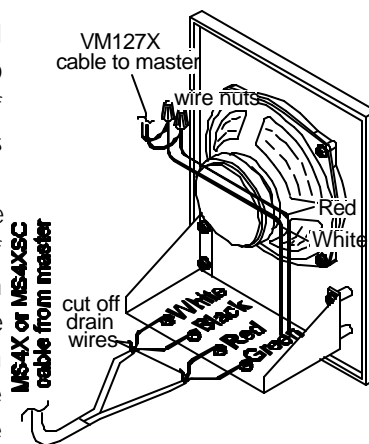


Figure 4

SATELLITE VOLUME CONTROL MVC1 SERIES

At each satellite control station location, strip approximately 4 inches of jacket (MS4XSC and MS2SXSC) from wires and separate colored conductors from one another. Strip 1/2 inch of insulation from each conductor. Connect drain wires together from both cables using a wire nut (MS4XSC only). Wire nut each colored conductor to its respective wire as shown in figure 5. Connect Blue and Violet wires to the corresponding terminals of the satellite speaker(s). Mount the volume control to the single gang box using the two screws provided with the volume control.

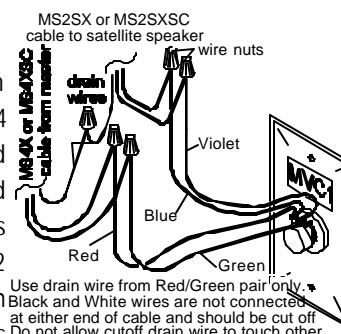


Figure 5

PATIO STATIONS NW14/NW35 SERIES

At each remote station location, strip approximately 4 inches of jacket (MS4XSC) from wire and separate colored conductors from one another. Strip 1/2 inch of insulation from each conductor. Cut each shield drain wire at the shield foil to prevent them from touching each other (MS4XSC only). Connect each colored conductor together using wire nuts as shown in figure 6. Mount the patio station to housing using the two screws provided with the station.

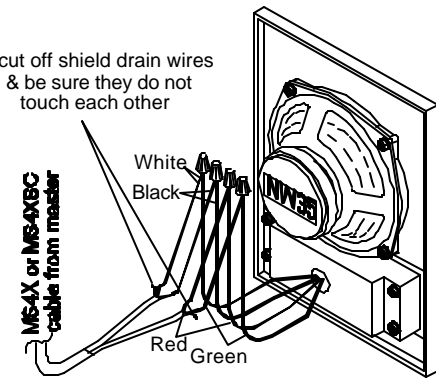


Figure 6

SATELLITE CONTROL STATIONS NWRC14 SERIES

At each satellite control station location, strip approximately 4 inches of jacket (MS4XSC and MS2SXSC) from wires and separate colored conductors from one another. Strip 1/2 inch of insulation from each conductor. Connect drain wires together from both cables using a wire nut (MS4XSC only). Connect each colored conductor together using wire nuts as shown in figure 7. Terminate Blue and Violet wires to the corresponding terminals of the satellite speaker(s). Mount satellite control station to mounting ring or housing using the two screws provided with the station.

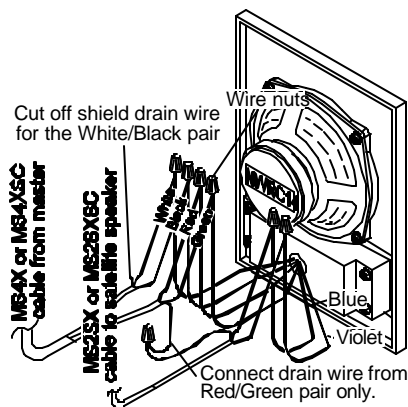


Figure 7

EXTERNAL MUSIC SOURCE AWPM

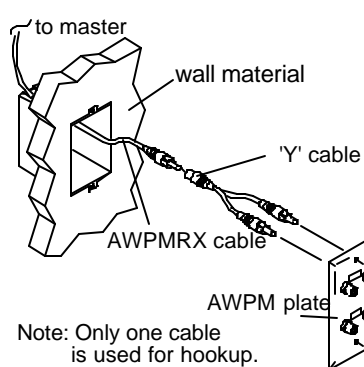


Figure 8

Connect the cable from the gang box to one of the 'Y' cables shipped with the AWPM wall plate as shown in figure 8. Use the labels provided to mark the two jacks used and the two that are not used. Connect one of the 'Y' cables to the plate as shown and mount the plate using the two screws provided.

DOOR STATIONS SERIES DS3/DS3B & BD3/D3/BD3B/D3B

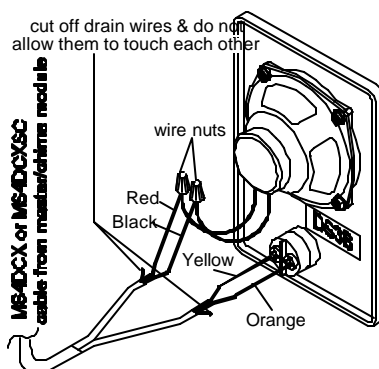


Figure 9

At each door station location, strip approximately 4 inches of jacket from wire and separate colored conductors from one another. Strip 1/2 inch of insulation from each conductor as shown in figure 9. Cut each shield drain wire at jacket to

prevent them from touching each other (MS4DCXSC only). Terminate yellow and orange wires to the screw terminals on the bell button (if equipped). Connect the Red and Black wires to the Red and Black wires on the speaker respectively. Refer to figure 9. Mount door station to housing using the two screws provided with station.

MC111M DIM series master station hookup

Gather all remote and door station cables and cut cable ends to the same length approximately 12 inches from entry point in wall housing. Strip off approximately 8 inches of jacket and shield foil from each cable (MS4XSC/MS4DCXSC). Strip 1/2 inch of insulation from each individual conductor. See figure 10. Be careful not to damage wall surface. Pigtail all shield drain wires (bare) to the shield terminal on the master. Insulate the bare wires using some of the jacket material to prevent shorting to the circuit board. Group all Red, Black, White and Green wires from the remote stations (MS4X/MS4XSC cables) and connect to the Red, Black, White and Green terminals respectively on the master unit as shown in figure 11. Do not connect the door stations at this time (MS4DCX/MS4DCXSC).

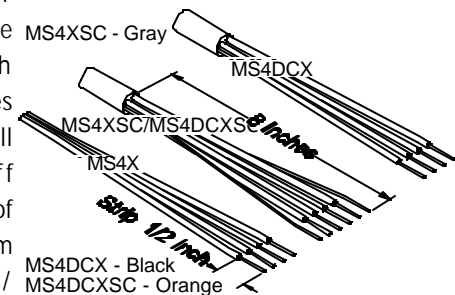


Figure 10

Connect the Red and Black wires of the door station cable(s) (MS4DCX/MS4DCXSC) to the Red and Black door speaker terminals of the master as shown in figure 11. Connect all Orange wires from the Door stations to the Common terminal labeled COMMON. Connect each Yellow wire to each note selection terminal. (Do not connect more than one Yellow wire per note terminal.)

Connect the Red and Black wires of the door station cable(s) (MS4DCX/MS4DCXSC) to the Red and Black door speaker terminals of the master as shown in figure 11. Connect all Orange wires from the Door stations to the Common terminal labeled COMMON. Connect each Yellow wire to each note selection terminal. (Do not connect more than one Yellow wire per note terminal.)

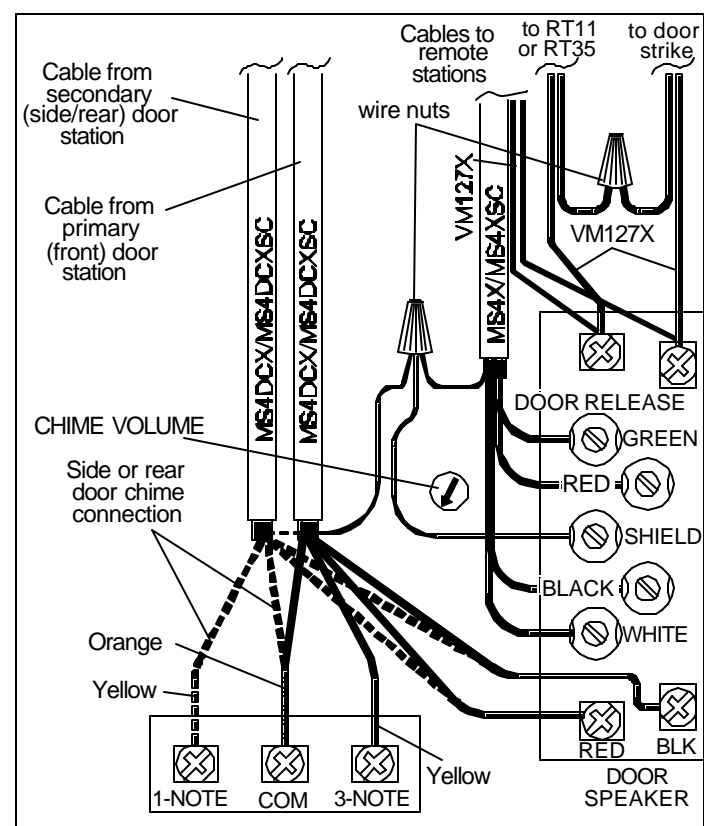


Figure 11

For implementation of the DRW door release, connect the VM127X cables from the remote power transformer and the DRW door release striker as shown in figure 12. The

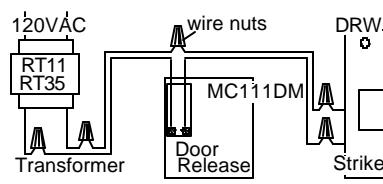


Figure 12

24Volt/1Amp dry contact switch closure may also be used for home automation or security panel panic alarm interface.

Note: The door release operation may only be used for one type of function per application.

After all connections have been made, insert the power plug into the transformer connector. Secure the master to the wall housing using the 2 screws provided. Do not overtighten the screws as the plastic may distort or crack. Check all functions by following the guidelines in the operating guide shipped with the master unit. If any difficulties are encountered, recheck all connections.

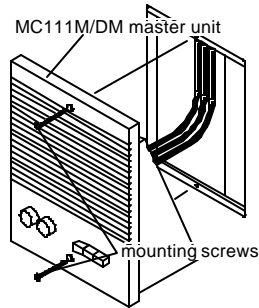


Figure 13

If, after reviewing these instructions, you are unable to resolve any problems, contact technical support at 1-800-366-9422.

M&S Systems Limited 2-Year No-Fault Product Warranty

M&S Systems warrants for 2 years all products to be free of defects (M&S Systems honors the 10-Year No-Fault warranty for AirVac Gold power units. See section below). The warranty period begins from either (1) the date of "first user" purchase of this product or (2) the first close of escrow date on a residence in which this new product was originally installed. This warranty extends to the original user of the product and to each subsequent owner of the product during the term of this warranty. M&S Systems will repair or replace, at its option, parts and materials at no charge. Parts supplied under this warranty may be new or rebuilt at the option of M&S Systems.

If, during the limited warranty period, it appears as though this product contains a defect which is covered by this limited warranty, call our toll free service number before dismantling the product (1-800-877-6631). Remember to attain a Return Authorization Number (RAN) before returning any product to M&S Systems. Send this product freight pre-paid and insured to our service center for warranty repair. You will be advised on shipping instructions when you call the toll free service number. M&S Systems will return the repaired product freight pre-paid within the U.S.A. The installing dealer or distributor may assist you, at your choice and expense, with returning product for repair. Please include a brief description of the problem and a dated proof-of-purchase receipt with any product that is returned for warranty repair. **ANY PRODUCT RETURNED WITHOUT A RETURN AUTHORIZATION NUMBER WILL BE REFUSED.**

This limited warranty is in lieu of any other warranties, express or implied, including any implied warranty of merchantability or fitness for a particular purpose or otherwise, and of any other obligations or liability on the seller's part. This limited warranty does not cover damage caused by improper installation, the violation of applicable building or electrical codes or the use of non-M&S/non-AirVac wire (excluding structured wire packages), cable (excluding structured wire packages) or wall housings. This limited warranty applies only to products installed in a private residence.

Under no circumstances shall the seller be liable for consequential, incidental or special damages arising in connection with use, or inability to use this product. In no event shall seller's liability, for breach of warranty, breach of contract, negligence, or strict liability, exceed the cost of the product covered hereby. No person is authorized to assume for us any other liability in connection with the sale of this product.

Some states do not allow the exclusion or limitation of consequential, incidental or special damages, so the above limitation or exclusion may not apply to you. This limited warranty gives you specific legal rights, and you may also have other rights which vary from state to state.

M&S SYSTEMS



115739 REV A